

# 250 SX-F 2007

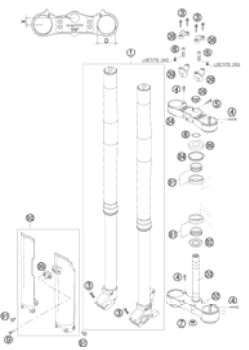
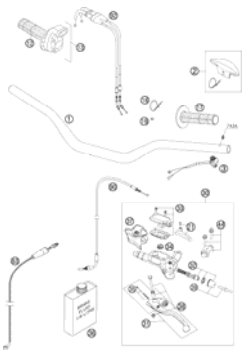

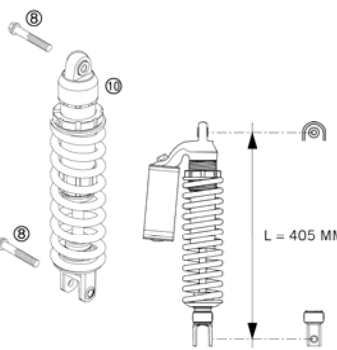
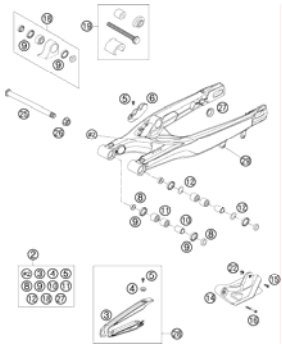
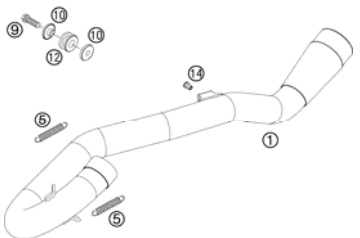
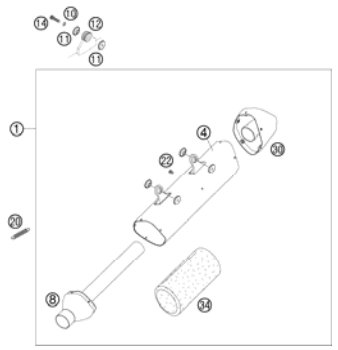
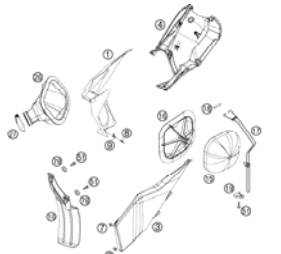
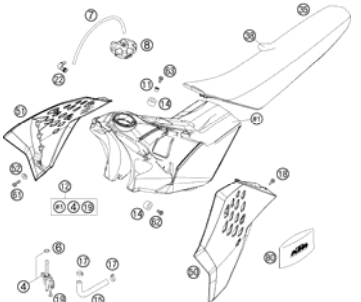
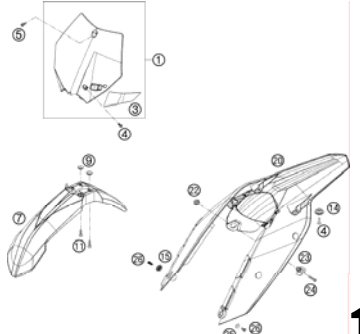

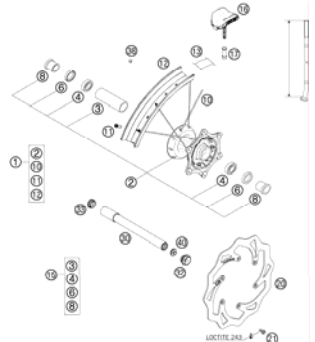
**SPARE PARTS MANUAL: CHASSIS**

**ART.NO.: 3CF8101G9EN**

**ENGLISH**





<p><b>FRONT FORK</b></p>  <p><b>3</b></p>	<p><b>HANDLEBAR, CONTROLS</b></p>  <p><b>4</b></p>	<p><b>FRAME, SUB FRAME</b></p>  <p><b>5</b></p>	<p><b>MONOSHOCK</b></p>  <p><b>6</b></p>
<p><b>SWINGARM</b></p>  <p><b>7</b></p>	<p><b>MANIFOLD</b></p>  <p><b>8</b></p>	<p><b>EXHAUST SILENCER</b></p>  <p><b>9</b></p>	<p><b>AIR FILTER BOX</b></p>  <p><b>10</b></p>
<p><b>TANK, SEAT, COVER</b></p>  <p><b>11</b></p>	<p><b>MASK, FENDERS</b></p>  <p><b>12</b></p>	<p><b>DECAL</b></p>  <p><b>13</b></p>	<p><b>FRONT WHEEL</b></p>  <p><b>14</b></p>

<p><b>REAR WHEEL</b></p> <p><b>15</b></p>	<p><b>BRAKE CALIPER REAR</b></p> <p><b>16</b></p>	<p><b>BRAKE CALIPER FRONT</b></p> <p><b>17</b></p>	<p><b>HAND BRAKE CYLINDER</b></p> <p><b>18</b></p>
<p><b>REAR BRAKE CONTROL</b></p> <p><b>19</b></p>	<p><b>ACCESSORIES</b></p> <p><b>20</b></p>		
	<div style="display: flex; align-items: center;"> <div style="background-color: #ccc; padding: 10px; margin-right: 10px; font-size: 48px; font-weight: bold;">!</div> <div> <p>All information contained is without obligation. KTM-Sportmotorcycle AG particularly reserves the right to modify any equipment, technical specifications, prices, colors, shapes, materials, services, service work, constructions, equipment and the like so as to adapt them to local conditions or to cancel any of the above items, all without previous announcement and without giving reasons. KTM may stop manufacturing certain models without previous notice. KTM shall not be held liable for any deviations of availability and/or ability to deliver, illustrations, descriptions, printing and/or other errors. The illustrated models partly contain extra equipment, which is not applied to standard models. © 2004 by KTM-SPORTMOTORCYCLE AG, Mattighofen AUSTRIA; All rights reserved; Reprint, also in extracts, with written allowance of KTM-SPORTMOTORCYCLE AG, Mattighofen only.</p> </div> </div>		

# FRONT FORK

250 SX-F 2007

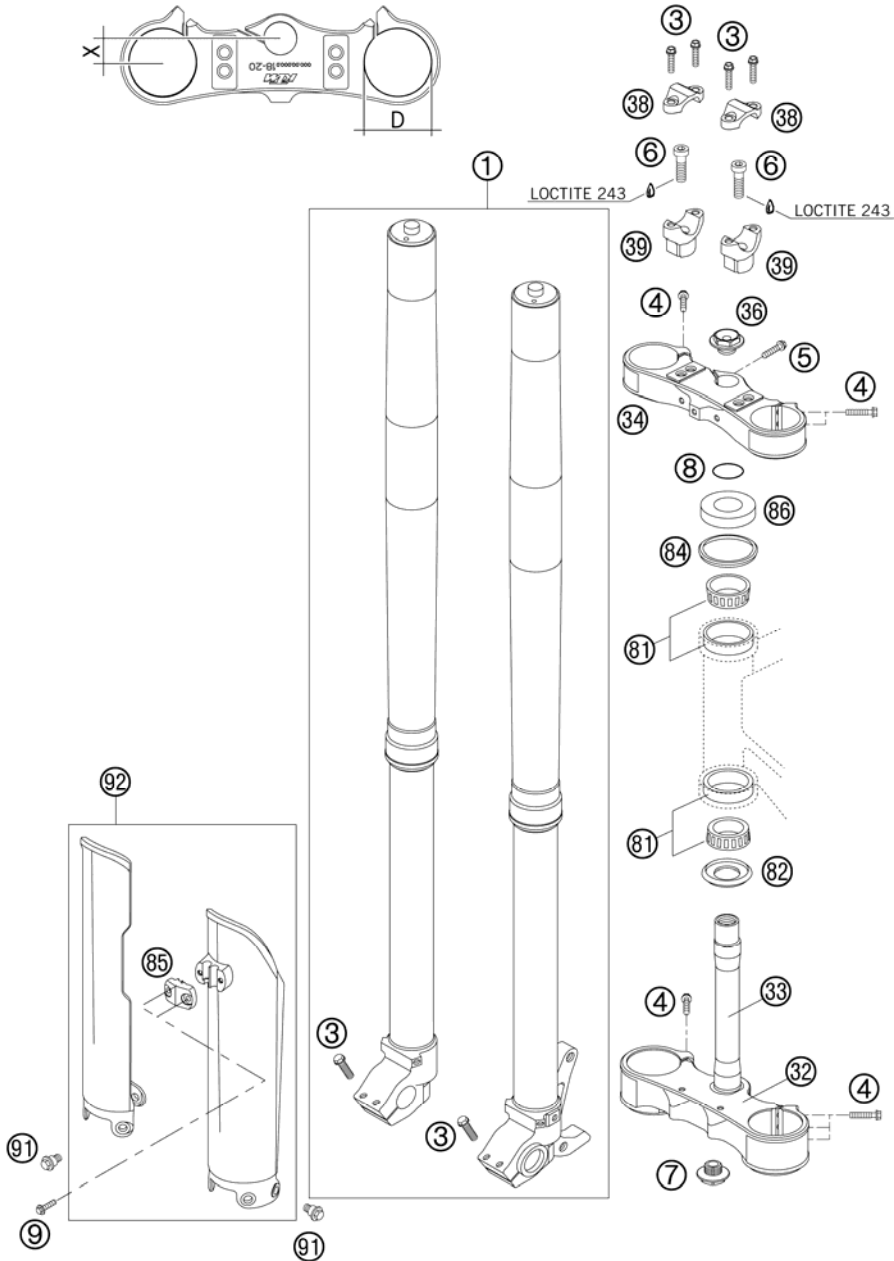


FIG	PART NUMBER	DESCRIPTION	QTY
1*	14187C03	FRONT FORK WP CC 250SX+SX-F 07	1
3	0015080253	HH COLLAR SCREW M 8X25 WS=10	8
4	0015080353	HH COLLAR SCREW M 8X35 WS=10	10
5	0015080256S	HH COLLAR SCREW M8X25 WS=10 06	x
6	0912100356	AH SCREW DIN6912-M10X35 10.9	2
7	54801036100	STE.HEAD SCR. M20X1,5 WS=27 SL SELF-LOCKING	1
8	0770025035	O-RING 25X3,55 NBR70 05	1
9	0017060204	EJOT PT SCREW K60X20 ALU WS=6	2
32	59401031019	BOTTOM TRIPLE CLAMP D=60MM 05	1
33	59401033000	FORK TUBE L=237MM 05	1
34	59401034019	TOP TRIPLE CLAMP D=54MM 05	1
36	54801036000	STEER.HEAD SCREW M20X1,5 WS=27	1
38	59401038000	HANDLEBAR CLAMP 28MM 05	2
39	59401039032	HANDLEB.SUPP. D=28MM H=32MM 05	x
39	59401039037	HANDLEB.SUPP. D=28MM H=37MM 05	x
39	59401039042	HANDLEB.SUPP. D=28MM H=42MM 05	x
81	54201081100	TAPERED ROLLER BEARING CPL. 06	2
82	54601084100	O-RING SUPPORT W. SEALING LIP	1
84	54601184000	STEERING HEAD GASKET TOP	1
85	5900108510004	CLAMP F.SPEED.CABLE ORANGE 06	1
86	54201086000	STEERING HEAD COVER	1
91	59001092050	SPECIAL SCREW M6X12,5 WS=8	6
92	5900109400004	FORK PROT. L/S +R/S ORG 02	1

077700100 / C077700100

\* NEW PART

X AS REQUIRED

# HANDLEBAR, CONTROLS

250 SX-F 2007

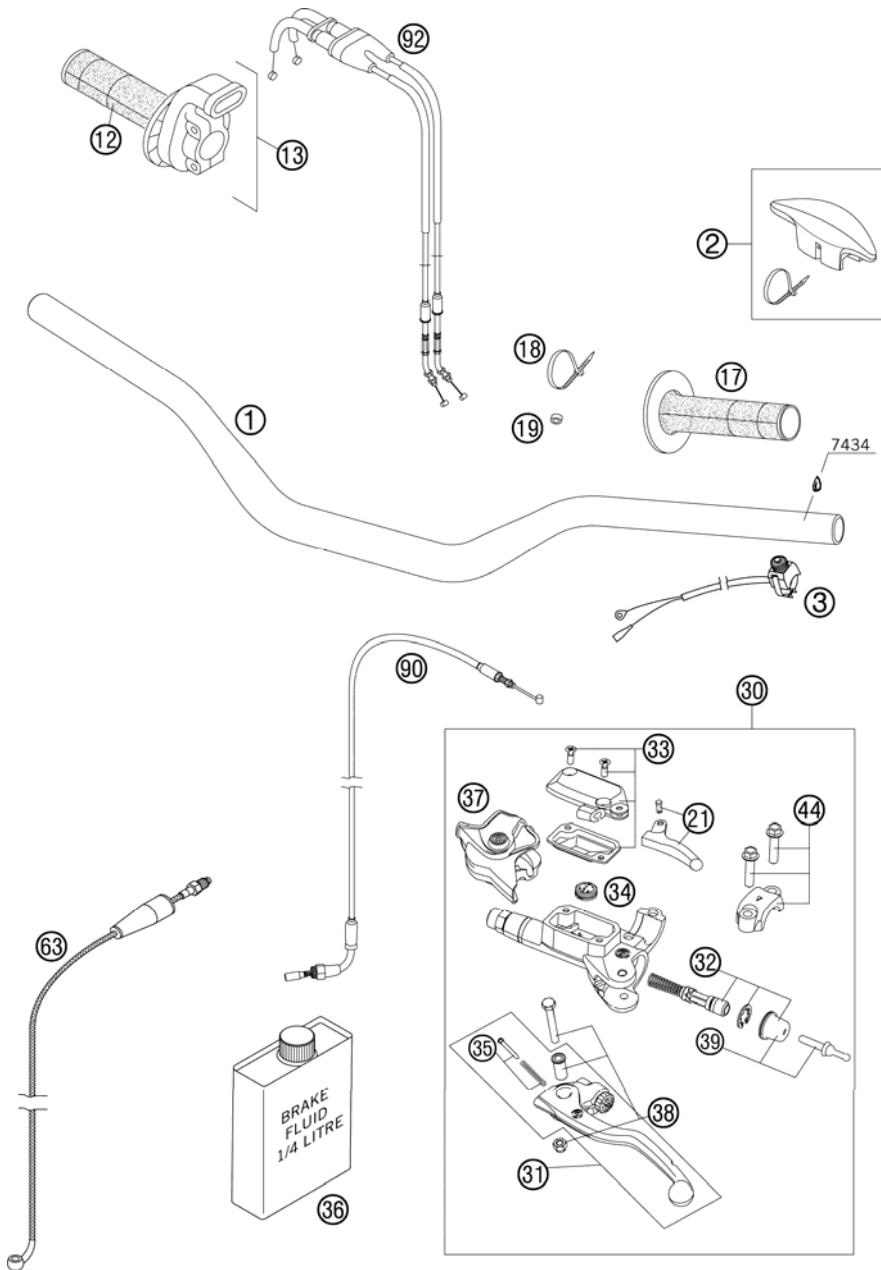


FIG	PART NUMBER	DESCRIPTION	QTY
1*	7730200100017	HANDLEBAR D=28MM SX	07 1
2	59002002000	HANDLEBAR PAD	05 x
3	50311089200	SHORT CIRCUIT BUTTON	02 1
12	54802013000	TWIST GRIP COVER RENTHAL	04 1
13	59402010000	THROTTLE GRIP CPL. RACING 2004	1 1
17	54802039000	FIXED GRIP RENTHAL	04 1
18	44011076100	CABLE TIE 100/2,5MM BLACK	x
18	44011076200	CABLE TIE 200/3,6MM BLACK	x
19	50301089000	SPACER BUSHING 6X10X5	1
21	77002047000	HOT START LEVER CPL.	07 1
30	77002030044	MASTER CYLINDER CPL.	07 1
31	54802031000	CLUTCH LEVER CPL. BREMBO	06 1
32	54802032000	REP. KIT PISTON	06 1
33	77002003000	COVER HYD. CLUTCH CPL.	07 1
34	54802051000	VALVE	1
35	54802052000	BOLT KPL.	1
36	306054	BRAKE FLUID DOT 4.0	1
37	54802037000	PROTECTION CAP	06 1
38	54802038100	LEVER SCREW CPL.	06 1
39	54802046000	PUSH ROAD CPL.	1
44	54802005100	CLAMP CPL.	06 1
63	54832063000	CLUTCH PIPE	06 1
90	77002096000	HOT START CABLE	05 1
92	77002091000	THROTTLE CABLE 250 SXF	2005 1

077700200 / C077700200

\* NEW PART

X AS REQUIRED

# FRAME, SUB FRAME

250 SX-F 2007

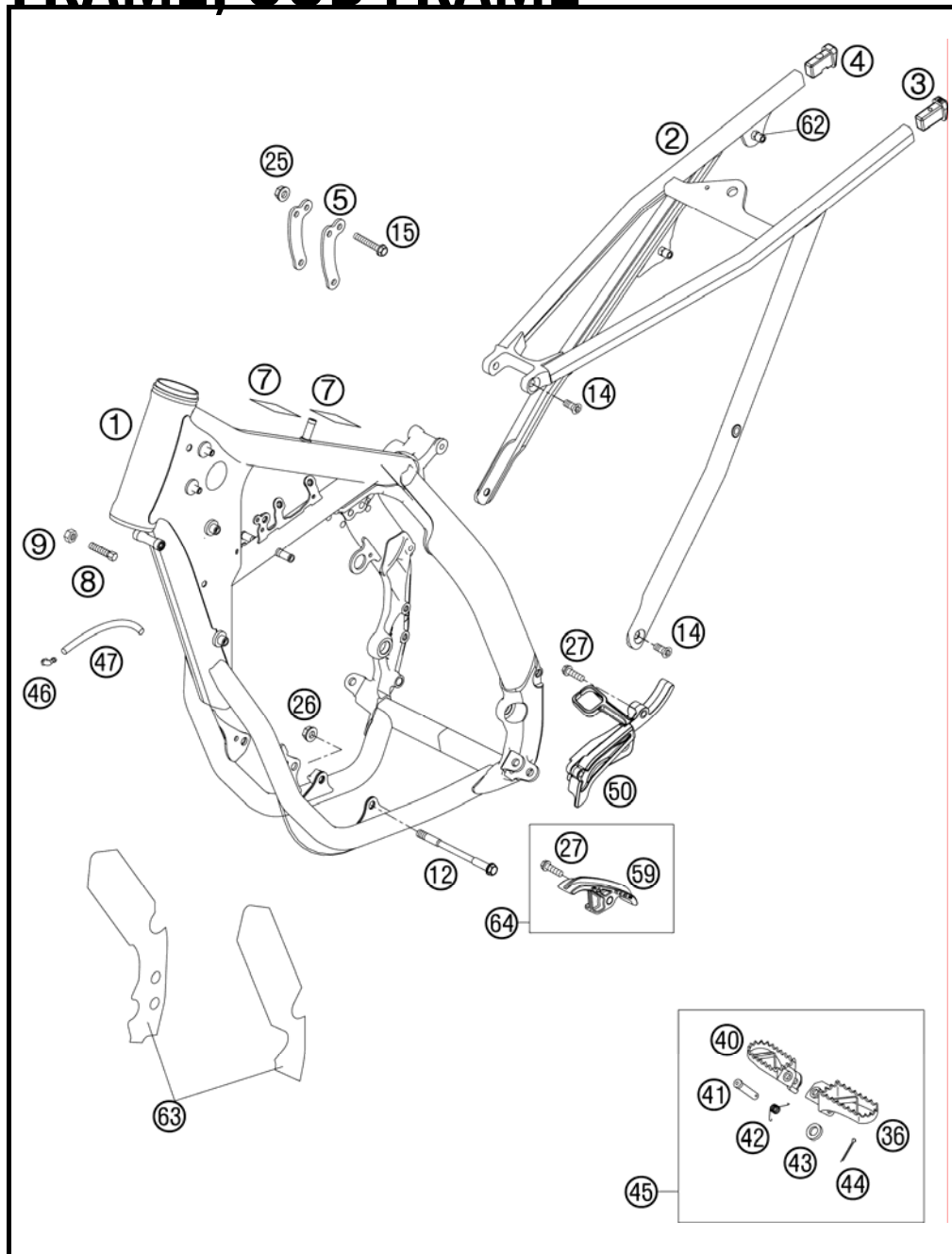


FIG	PART NUMBER	DESCRIPTION	QTY	
1*	7700310100030	FRAME 250 SX-F "GA07"	07	1
2*	77303002000	SUB FRAME SX "Q7"	07	1
3*	77303002010	SUB FRAME APPLICATION L/S	07	1
4*	77303002020	SUB FRAME APPLICATION R/S	07	1
5*	77003113000	REINFORCING B. 250 SX-F	07	2
7	50307012000	ADH. FOIL TRANSP. 80X80 MM	04	2
8	59001037000	SPECIAL SCREW M8X26 WS=10		2
9	09340800003	HEXAGON NUT DIN0934-M 8		2
12	54603013000	ENGINE BRAC.SCR. M10X105 WS=13		2
14*	0019080206S	FLAT HEAD SCREW M. ISA45 M8X20		4
15	56530079000	COLLAR SCREW M8X42 WS=13 10.9		3
25	54310086200	SELF LOCKING NUT M8 10.9		3
26	54310086100	SELF LOCKING NUT M10 CU WS=14		2
27	0015080303	HH COLLAR SCREW M 8X30 WS=10		2
36	59003040250	FOOT PED L/S SILVER	02	1
40	59003041250	FOOT PED R/S SILVER	02	1
41	54803044000	BOLT FOR FOOT PED	03	2
42	54603041000	FOOTREST SPRING L/S & R/S		2
43	0125100003	WASHER DIN0125-A10,5		2
44	0094032253	PIN DIN0094-3,2X25 STEEL		2
45*	5030314013390	FOOTREST L.+R. CPL. 03		1
46	50303089000	ANGEL PIECE '97		2
47	55007016001	PVC-HOSE 7X10 PER METER		x
50*	77003096000	SPROCKET COVER 250 SX-F	07	1
59*	77303053000	CHAIN SLIDING PIECE BELOW	07	1
62*	77303139000	BLIND RIVET NUT EM6-60LF/HX		x
63*	77303094000	FRAME PROTECTION STICK. SET	07	1
64*	77303053010	CHAIN SLIDING P. BELOW CPL.	07	1

077700300 / C077700300

\* NEW PART

X AS REQUIRED

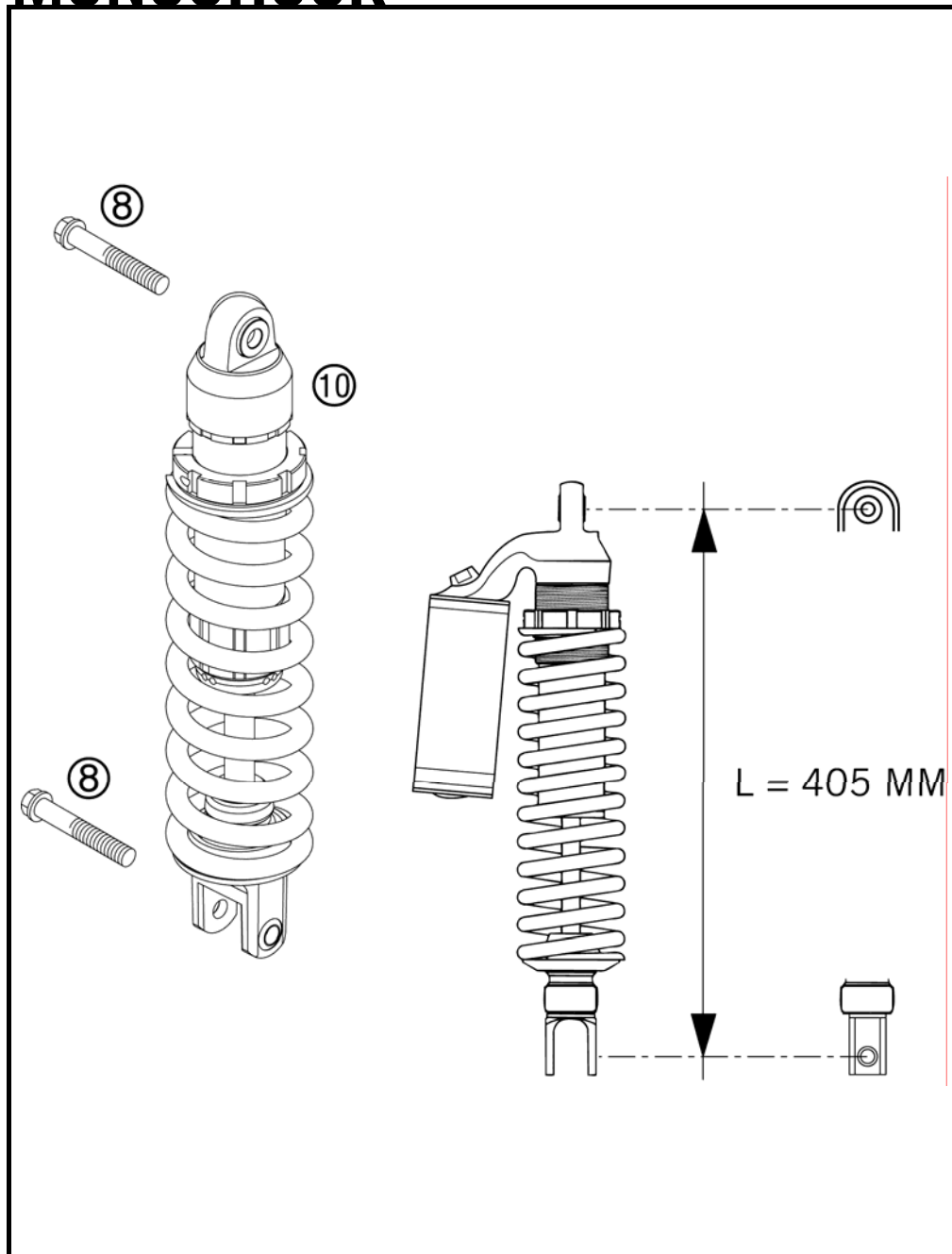


FIG	PART NUMBER	DESCRIPTION	QTY
8*	0025120506S	HH COLLAR M12X50 ISA45	2
10*	12187C03	MONOSHOCK WP 250 SX+250SX-F 07	1

05503040 / C075480400

\* NEW PART

X AS REQUIRED



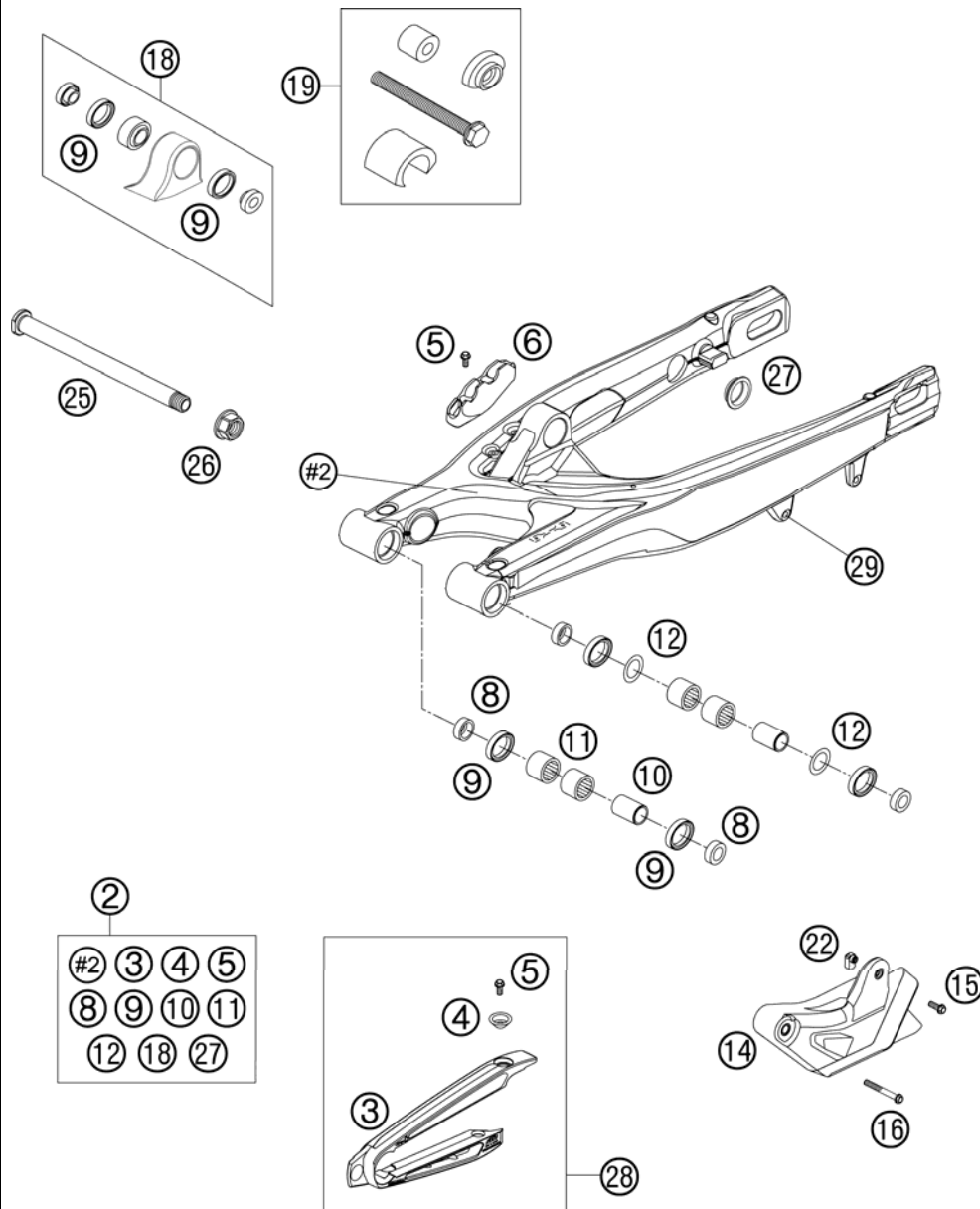


FIG	PART NUMBER	DESCRIPTION	QTY
2*	77304030044	SWINGARM CPL. 07	1
3*	77304066000	CHAIN SLIDING PROTECTION	1
4*	77304066050	BUSHING F. CHAIN SLIDING PR.07	2
5*	0009050103	SPECIAL SCREW M 5,0X10	4
6*	77313047000	BRAKE HOSE GUIDE LOWER 07	1
8	54804034000	BUCKET F. SHAFT SEAL RING 03	4
9	0760253270	SHAFT SEAL RING 25X32X7	6
10	54804032000	BUSHING SLEEVE F. SWING ARM 03	2
11	58033097000	NEEDLE BEARING HK 2216	4
12	54603036000	STOP DISK 22,2X31,7X1	2
14*	77304070000	CHAIN GUIDE REAR CPL. 07	1
15	0015060163	HH COLLAR SCREW M 6X16 WS=8	1
16	0015060453	HH COLLAR SCREW M 6X45 WS=8	1
18	50304090044	PIVOT BEARING+BUSHES PDS '99	1
19	50329000044	TOOL BEARING MOUNTING PDS	1
22*	77304070030	INSERTION NUT F. CHAIN GUIDE	1
25*	77304037000	SWINGARM BOLT M16X1,5 07	1
26	54804038000	SELF LOCK.NUT M16X1,5 WS=19 03	1
27	58404041100	CLOSING COVER ROUND 03	4
28*	77304066010	CHAIN GUARD CPL. 06	1
29*	54603055051	PRESS IN NUT M6 STEEL ZINC	1

077700402 / C077700402

\* NEW PART

X AS REQUIRED

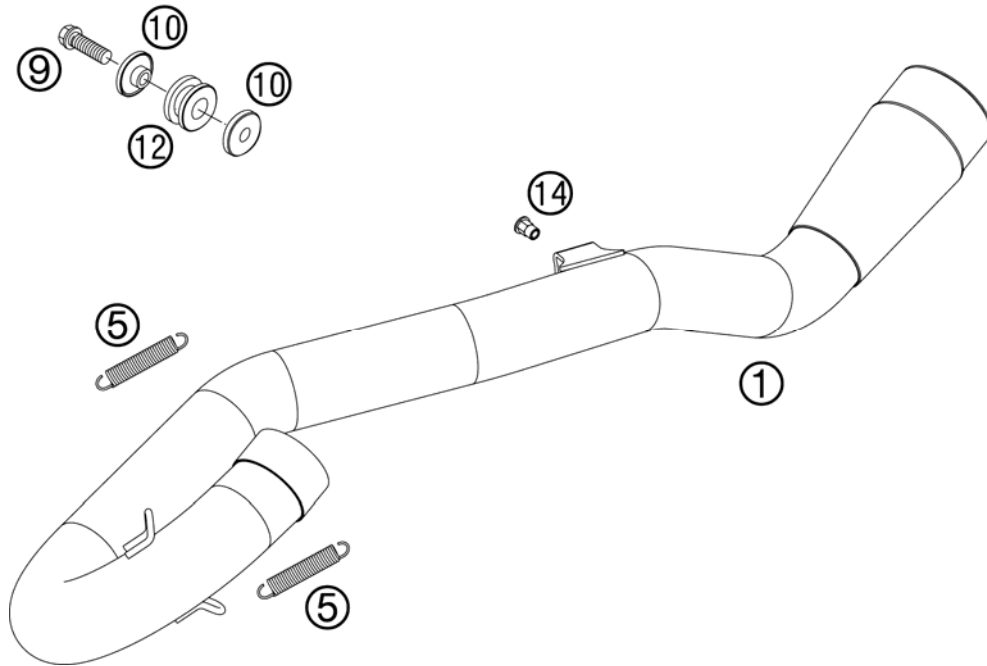


FIG	PART NUMBER	DESCRIPTION	QTY
1*	77005007200	MANIFOLD 250 SX-F 07	1
5	50305016000	TEN.SPRING L=62MM EY.MOVEABLE	2
9	0015080253	HH COLLAR SCREW M 8X25 WS=10	1
10	59405069000	BUSHING FOR EXHAUST SUPPORT 03	2
12	54605068000	EXHAUST BRACKET RUBBER BLACK	1
13	54603048000	RANGE CHANGE METAL NUT M8	1
14*	61003002080	BLIND RIVET NUT M8 HUC/ROF 5 0	x

077700500 / C077700500

\* NEW PART

X AS REQUIRED

# EXHAUST SILENCER

250 SX-F 2007

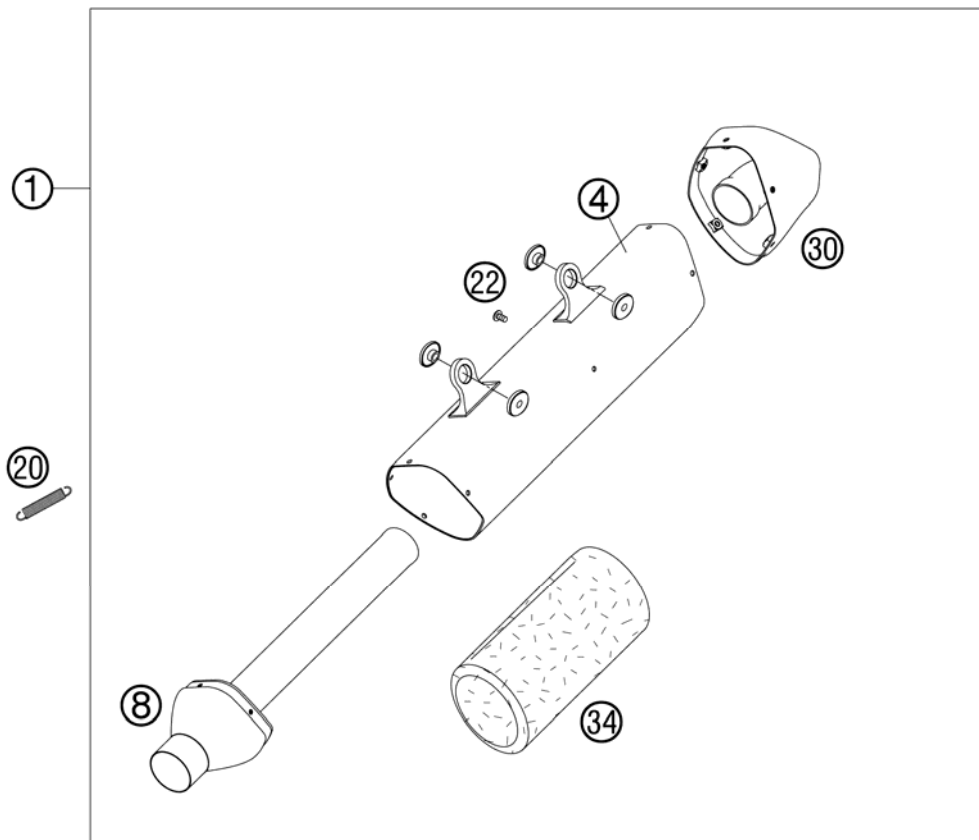
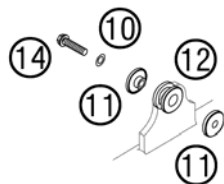


FIG	PART NUMBER	DESCRIPTION	QTY
1*	77005079100	EXHAUST SILENCER CPL.250SXF 07	1
4*	77005079150	SILENCER HOUSING 250 SX-F 07	1
8*	77005079109	SILENCER C. CPL. 250 SX-F 07	1
10	0137060003	SPRING WASHER DIN0137-B 6	2
11	54605069000	BUSHING 7,5X12X28X7,8 '96	4
12	54605068000	EXHAUST BRACKET RUBBER BLACK	2
14	0015060303	HH COLLAR SCREW M 6X30 WS=8	2
20	50305016000	TEN.SPRING L=62MM EY.MOVEABLE	2
22*	58605083010	SCREW TORX M5X10 05	10
30*	77305079006	ENDCAP 07	1
34	58705078350	STUFFINGYARN 350 GRAMM '99	1

077700501 / C077700501

\* NEW PART

X AS REQUIRED

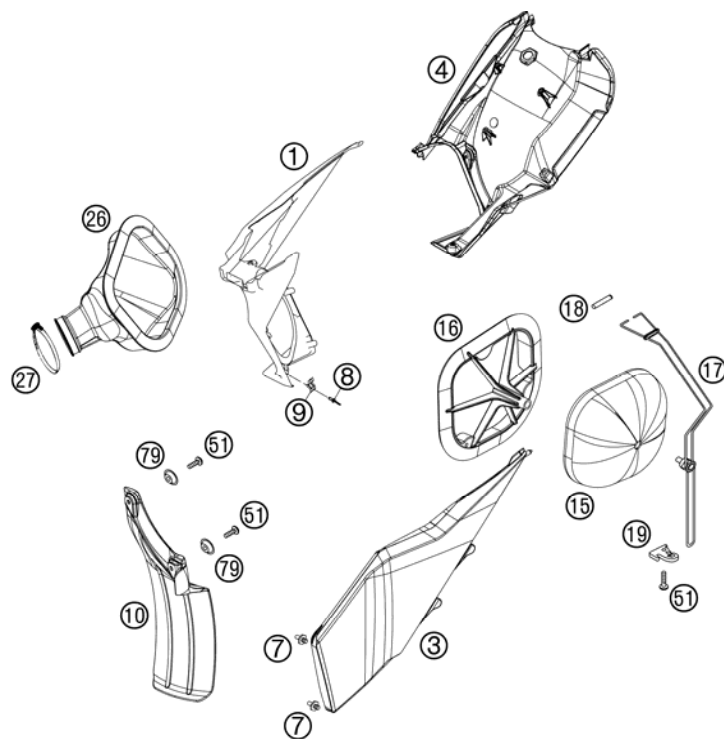


FIG	PART NUMBER	DESCRIPTION	QTY
1*	7730600101004	FILTER WALL ORANGE SX 07	1
3*	7730600300004	FILTER BOX COVER ORANGE SX 07	1
4*	77306001020	REAR PART FILTER BOX 07	1
7	54806008051	QUICK RELEASE-NIPPLE 03	2
8	54806108052	BLIND RIVET 3,3X9,7 GROOVED 04	4
9	54806008050	QUICK RELEASE-SPRING HANGER	2
10*	77306010000	FENDER FOR FILTER BOX	1
15*	77306015000	AIR FILTER 07	1
16*	77306016000	FILTER CARRIER 4S SX 07	1
17*	77306017000	FILTER SUPPORT CPL. 07	1
18*	77306018000	FILTER SUPPORT BUSH 07	1
19*	77306019000	FASTEN. DEVICE FILTER S. SX 07	1
26*	77006026100	CABURETOR CONNECTING 07	1
27*	46005058000	HOSE CLAMP 40-60MM	1
51*	0017060204	EJOT PT SCREW K60X20 ALU WS=6	3
79*	77304066050	BUSHING F. CHAIN SLIDING PR.07	2

077700600 / C077700600

\* NEW PART

X AS REQUIRED

# TANK, SEAT, COVER

250 SX-F 2007

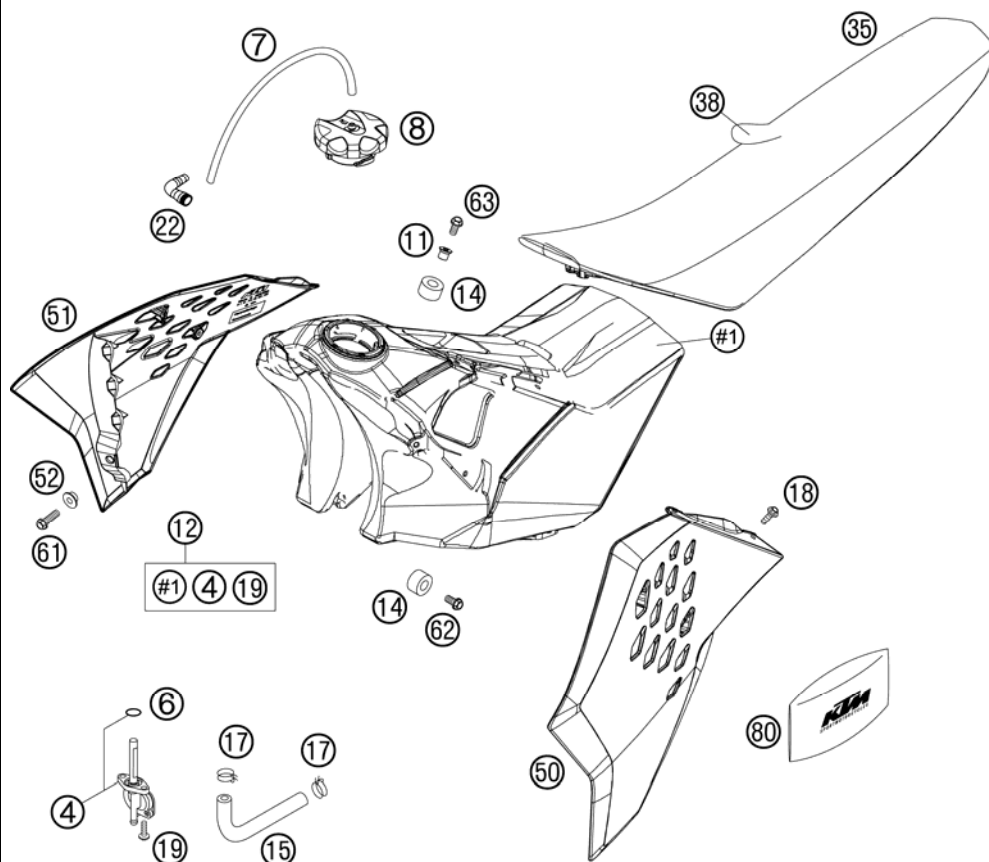


FIG	PART NUMBER	DESCRIPTION	QTY
4	50307005000	GAS COCK MIKUNI ON/OFF 2001	1
6	0770130023	O-RING 13,00X2,30	1
7	31007107001	PVC-HOSE 6X9 MM PER METER	x
8	77007008044	FILLER CAP CPL. 05	1
11*	77307026000	TANK BUSHING 07	1
12*	7730701303330	FUEL TANK CPL. 7,5L SX 07	1
14	50307014000	TANK ROLLER 12X26X12 '98	3
15*	77307016000	FUEL PREFORMED HOSE 450 SX-F	1
17	58031005000	CLAMP YDNAC 10128 12MM	2
18	0017060204	EJOT PT SCREW K60X20 ALU WS=6	8
19	0017060203	EJOT PT SCREW K60X20 WS=6	2
22	51030022000	ANGLE PIECE 90 DEGREE M10X1	1
35*	77307040000	SEAT SX 07	1
38*	77307040050	SEAT COVER 07	1
50*	7730805000030A	SPOILER LEFT BLACK SX 07	1
51*	7730805100030A	SPOILER RIGHT BLACK SX 07	1
52	50308052000	BUSH FOR SPOILER 6X11X16X5 MM	2
61	0015060203	HH COLLAR SCREW M 6X20 WS=8	2
62	0015060123	HH COLLAR SCREW M 6X12 WS=8	2
63*	0015060253	HH COLLAR SCREW M 6X25 WS=8	1
80*	77029099100	TOOL KIT 07	1

077700700 / C077700700

\* NEW PART

X AS REQUIRED

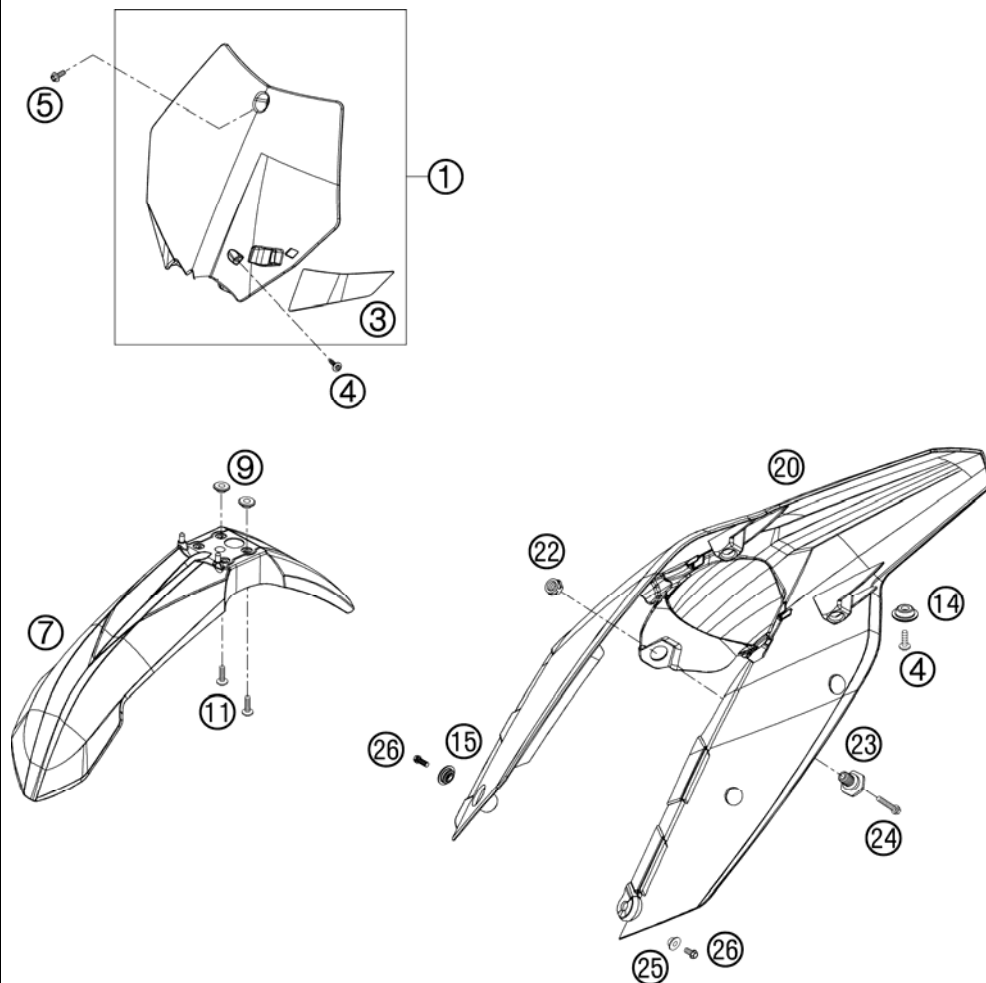


FIG	PART NUMBER	DESCRIPTION	QTY
1*	7730800704404	NUMBER PLATE CPL. ORANGE 07	1
3*	7730802200004	BRAKE HOSE GUIDE ORANGE 07	1
4	0017060204	EJOT PT SCREW K60X20 ALU WS=6	3
5	0014060103	HH COLLAR SCREW M 6X10 WS=8	1
7*	7730801000004	FRONT FENDER 07	1
9	54808020000	SPACER BUSHING 03	4
11	0014060153	HH COLLAR SCREW M 6X15 WS=8	4
14*	77308013010	COLLAR BUSH. F.REAR FENDER 07	2
15*	77306001030	COLLAR BUSHING 4,5/12,6/23	1
20*	7730801300004	REAR FENDER SX ORANGE 07	1
22	50314057050	COLLAR NUT M12X1/WS17 H=5MM	1
23	54807048000	BUSHING FOR SEAT FASTENING 03	1
24	0015060253	HH COLLAR SCREW M 6X25 WS=8	1
25	50308052000	BUSH FOR SPOILER 6X11X16X5 MM	1
26	0015060203	HH COLLAR SCREW M 6X20 WS=8	4

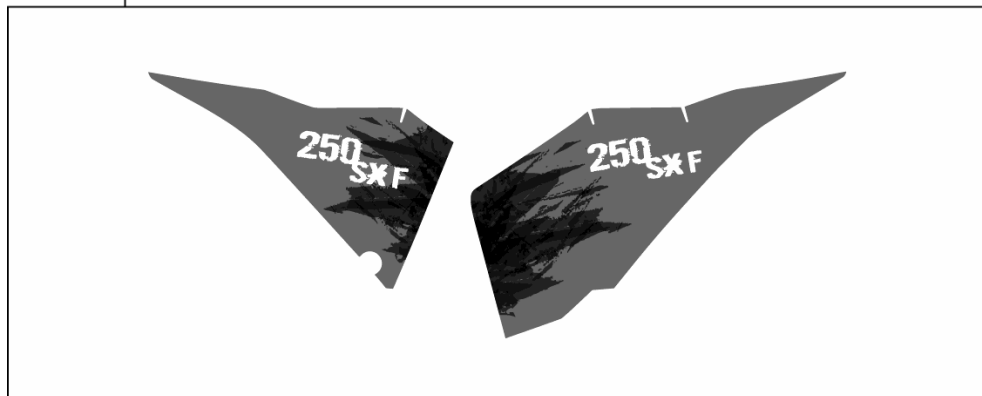
077700800 / C077700800

\* NEW PART

X AS REQUIRED

FIG	PART NUMBER	DESCRIPTION	QTY
2*	77008091400	DISCAPLEME. STICKER 250SX-F 07	1

②



077700801 / C077700801

\* NEW PART

X AS REQUIRED

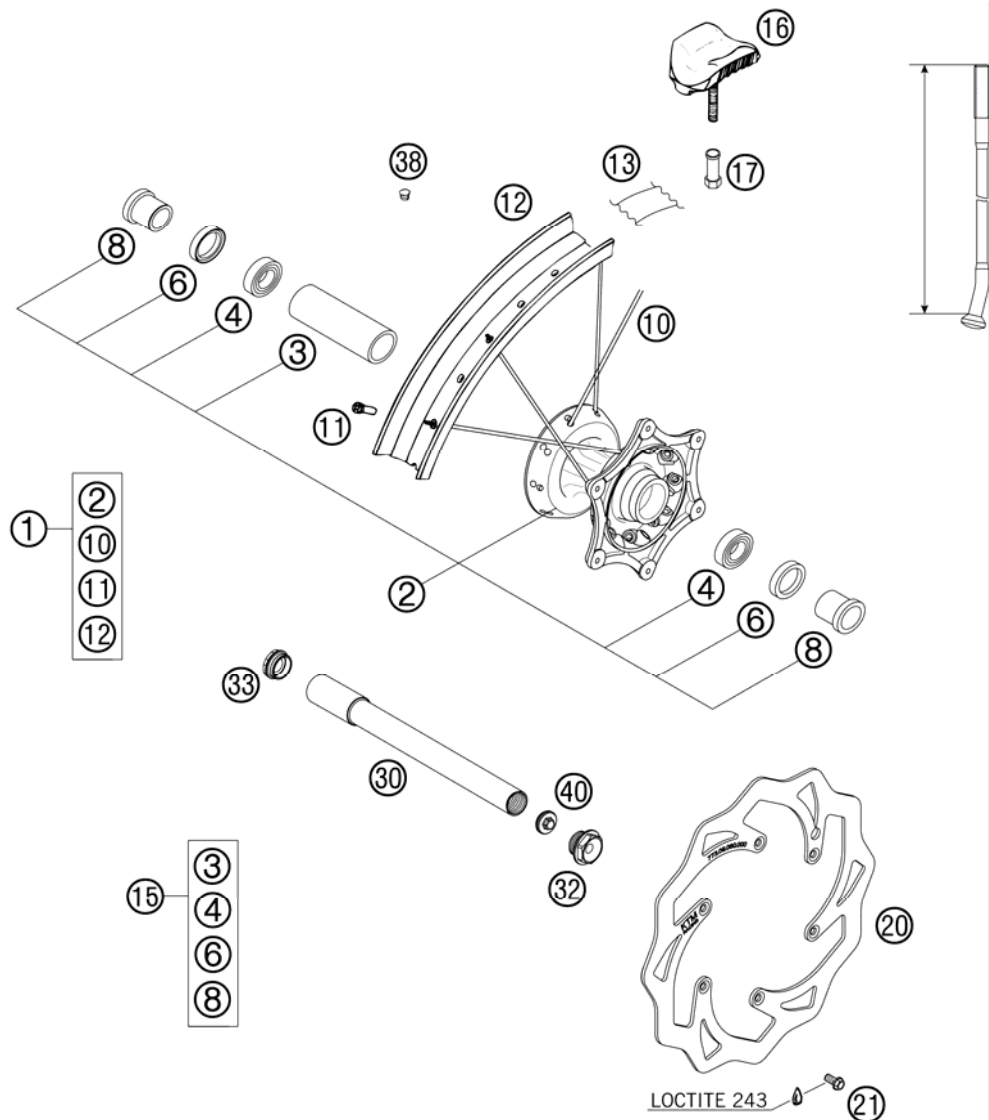


FIG	PART NUMBER	DESCRIPTION	QTY
1*	7730900104430	FRONT WHEEL CPL.1,6X21EXCEL 07	1
2*	77309010044	FRONT HUB SX CPL. 07	1
3	54809011000	BEA.SPACERTUBE 35X2 L=79,4 03	1
4	0625069068	GR.BALL BEAR.6906 DDU2CG23S6NM	2
6	0760354771	SHAFT SEAL RING 35X47X7 TC	2
8*	77309012000	SPACER BUSHING 07	2
10*	77309072226	SPOKE M4, 5X226- 21" 06	36
11	50309072000	SPOKE NIPPLE M4,5X0,75 8X21	36
12	5460907010030	RIM 1,60X21"EXCEL AL4 BLACK	1
13	50309073000	RIM BAND 21"	1
15*	77309015000	FRONT WHEEL REP. KIT	1
16	51009100100	RIM LOCK VM1 (1,60")	1
17	50310090050	NUT FOR WHEEL HOLDER '96	1
20*	77309060000	BRAKE DISC FRONT 260	1
21	59009062013	SPECIAL SCREW M6X13 WS=8 10.9	6
30*	77309081000	WHEEL SPIN.FR. D=26 M24x1,5 07	1
32	54809082000	SPINDLE SCREW M24X1,5 WS=27 03	1
33	54809081050	PLUG BUSHING WS=27 03	1
38	55003135000	PLUG FOR RIM	x
40	54809081070	AUXILIARY SCREW FRONT 06	1

077700900 / C077700900

\* NEW PART

X AS REQUIRED



# REAR WHEEL

250 SX-F 2007

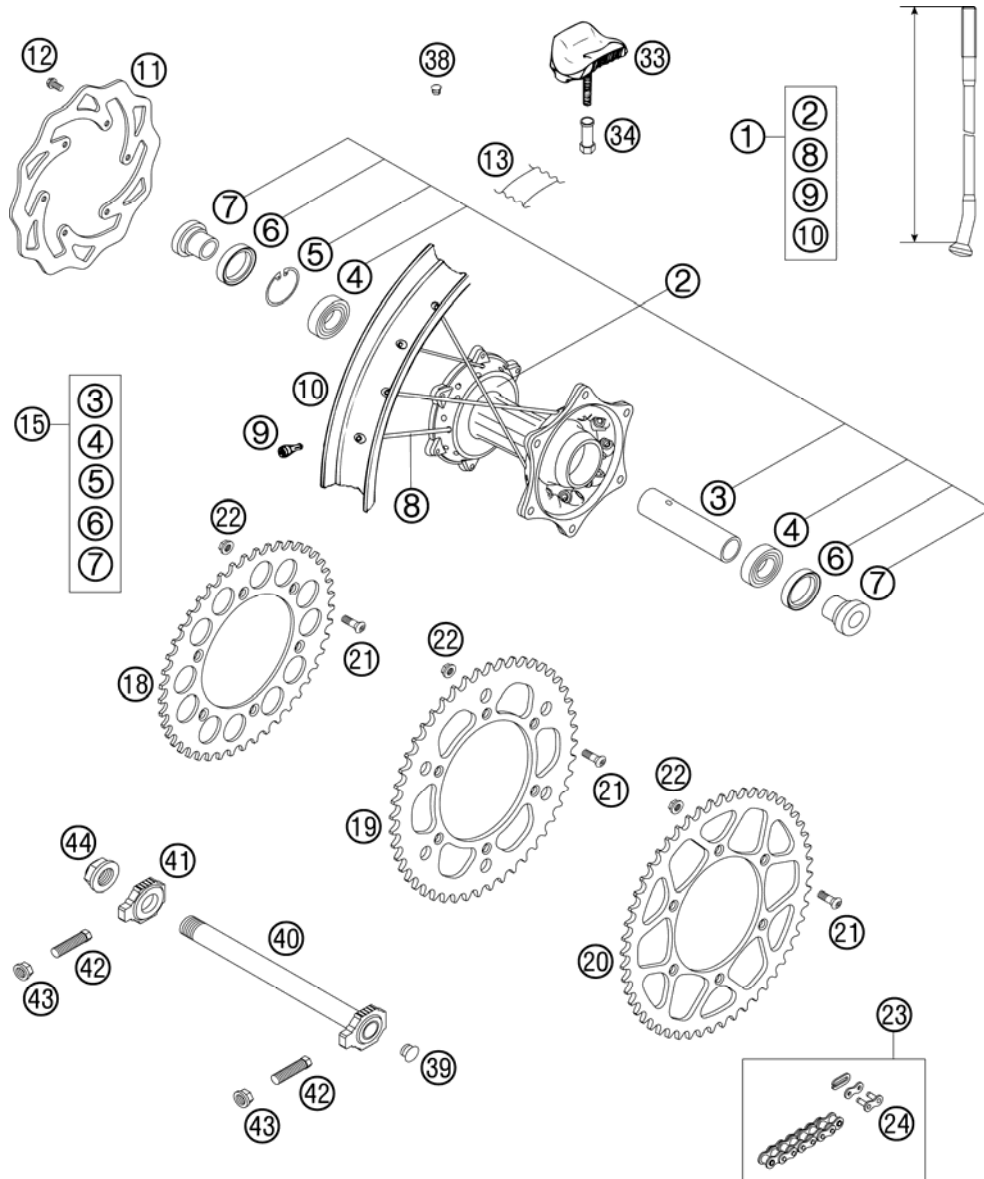


FIG	PART NUMBER	DESCRIPTION	QTY
1*	7731000104430	REAR WHEEL CPL.2,15X19"EXCELO7	1
2*	5481001004491	REAR WHEEL HUB CPL. SX, EXC 03	1
3	59010011000	BUSHING SPACER TUBE 121,5MM 01	1
4	0625060058	GR.BALL BEAR.6005 DDU2CG23S6NM	2
5	0472047175	CIRCLIP DIN0472-47X1,75	1
6	0760324771	SHAFT SEAL RING 32X47X7 BSL	2
7*	77310016000	SPACER BUSHING 07	2
8*	77310072207	SPOKE M5x207 - 19" 07	36
9	58309072000	SPOKE NIPPLE M5-TA (8X21MM)	36
10	5461007010030	RIM 2,15X19"EXCEL AL4 BLACK	1
11*	77310060000	BRAKE DISC REAR 220	1
12	59009062013	SPECIAL SCREW M6X13 WS=8 10.9	6
13	50310073200	RIM BAND 18" AND 19"	1
15*	77310015000	REAR WHEEL REP. KIT	1
18	58310051038	REAR SPROCKET 38-T	x
18	58310051042	REAR SPROCKET 42-T	x
18	58310151040	REAR SPROCKET 40-T	x
18	58310151045	REAR SPROCKET 45-T	x
19	58310151048	REAR SPROCKET 48-T	x
19	58310151049	REAR SPROCKET 49-T	x
20	58310151050	REAR SPROCKET 50-T	x
20	58310151051	REAR SPROCKET 51-T	x
20	58310151052	REAR SPROCKET 52-T	x
21	54510052100	SPROCKET SCREW-AH M8X26 WS=6	6
22	54310086200	SELF LOCKING NUT M8 10.9	6
23	50310165118	CHAIN 5/8X1/4" + MASTER LINK	1
24	50310166000	CONNECTING LINK	1
33	54010100100	RIM LOCK VM3 (2.15")	2
34	50310090050	NUT FOR WHEEL HOLDER '96	2
38	55003135000	PLUG FOR RIM	x
39	50210086000	COVERING CAP SFL16	x
40*	77310085044	WHEEL SPINDLE RE. CPL.265MM 07	1
41	50310084000	CHAIN TENSIONER R/S 2000	1
42	50304040100	SCREW M10X1,25X50 WS=10	2
43	58414030000	HH COLLAR NUT M10X1,25 WS=13	2
44	50310099000	HEXAGON NUT M20X1,5 '98	1

077701000 / C077701000

\* NEW PART

X AS REQUIRED

# BRAKE CALIPER REAR

250 SX-F 2007

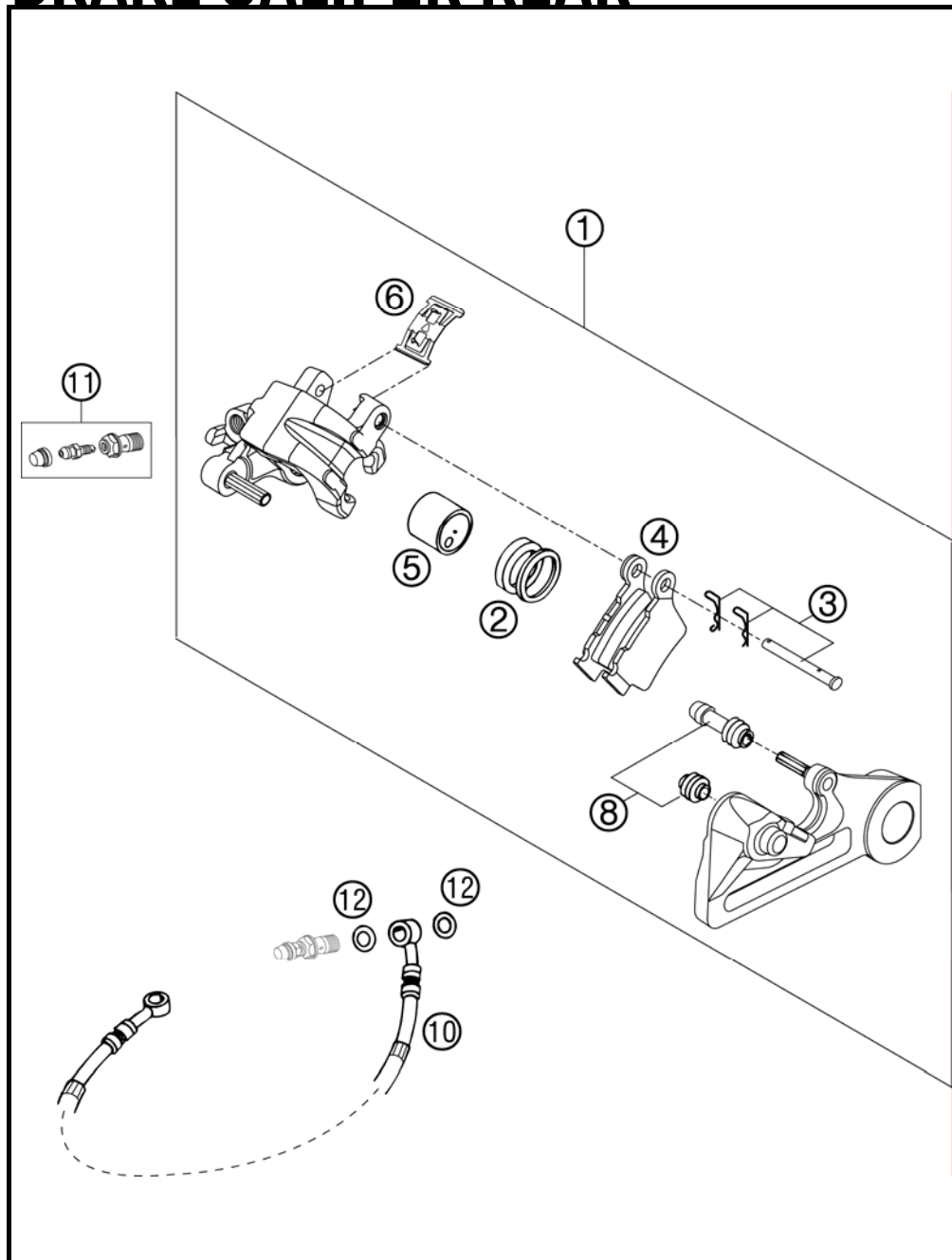


FIG	PART NUMBER	DESCRIPTION	QTY
1	54813080144	BRAKE CALIPER REAR CPL. 2005	1
2	50313081200	REPAIR KIT SEALING RINGS 26MM	1
3	54813082000	BOLT SET FOR BRAKE CALIPER 03	1
4	54813090300	BRAKE PAD SET REAR TOYO	1
5	54813083000	BRAKE PISTON 26MM 2003	1
6	54813018000	RETAINING SPRING SET 2003	1
8	54613218000	CUP SET SHORT	1
10	54813070000	BRAKE HOSE REAR 655MM 03	1
11	54813020000	BLEEDER HOLLOW SCREW M10X1	1
12	42013226000	CU-SEAL RING DIN7603-10X16X1	2

03590136 / C065231303

\* NEW PART

X AS REQUIRED

# BRAKE CALIPER FRONT

250 SX-F 2007

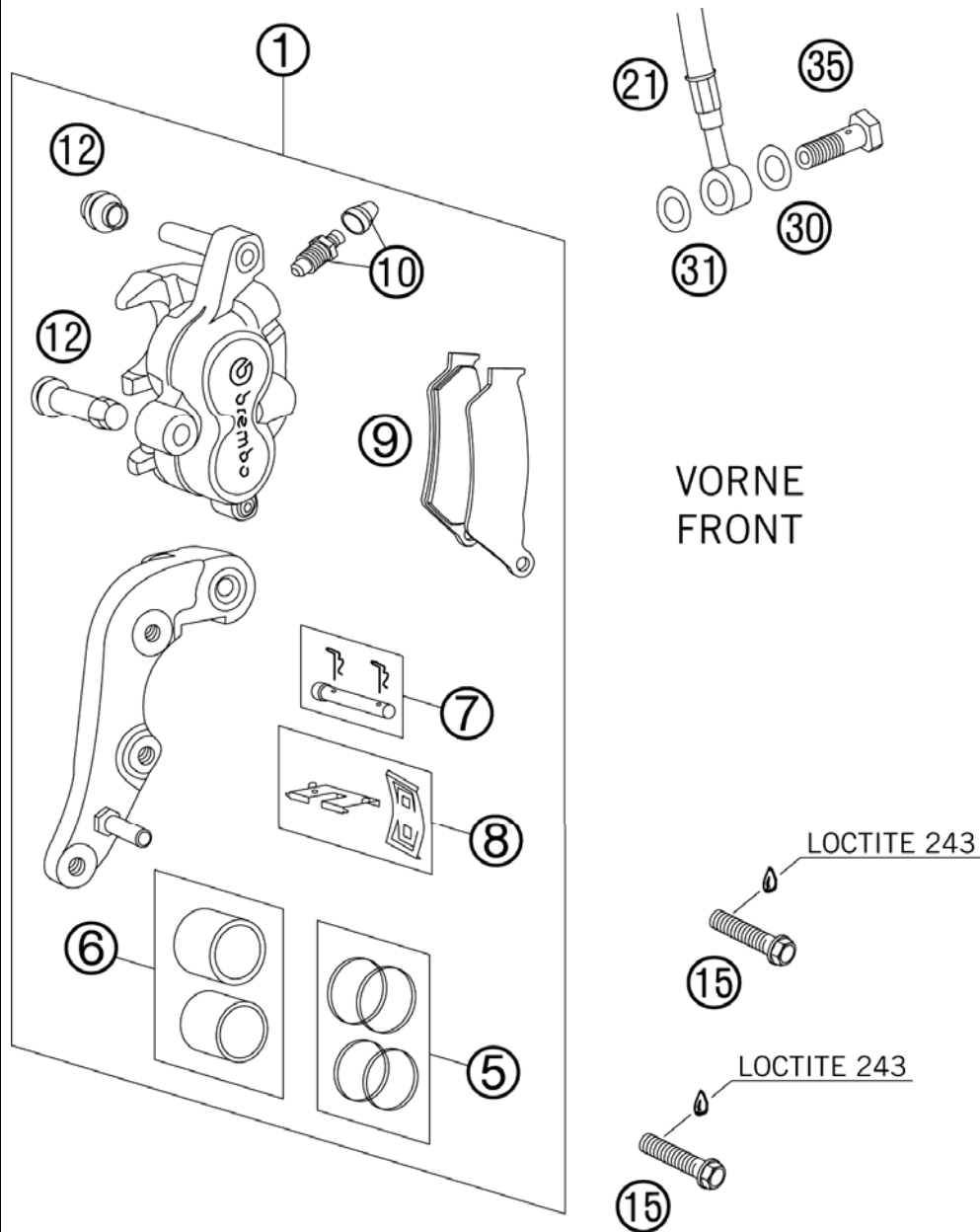


FIG	PART NUMBER	DESCRIPTION	QTY
1	59013015144	BRAKECALIPER FRONT BREMBO 2000	1
5	54613205000	REPAIR KIT 28MM	1
6	54613206000	REPAIR KIT PISTON 28MM	1
7	54613210100	BOLT CPL. 6X56	1
8	54613212000	RETAINING PLATE SET BREMBO	1
9	50313030100	BRAKEP.SET FR.TOSHIBATT2701HHB	1
10	60013020000	BLEEDER SCREW WITH CAP	1
12	54613218000	CUP SET SHORT	1
15	0015080353	HH COLLAR SCREW M 8X35 WS=10	2
21	59013010000	BRAKEHO. FRONT 1235MM 2000	1
30	42013226000	CU-SEAL RING DIN7603-10X16X1	2
31	42013026000	CU-SEAL RING DIN7603-10X16X1,5	2
35	50213025000	HOLLOW SCREW M10X1X19	1

065231306 / C077701300

\* NEW PART

X AS REQUIRED

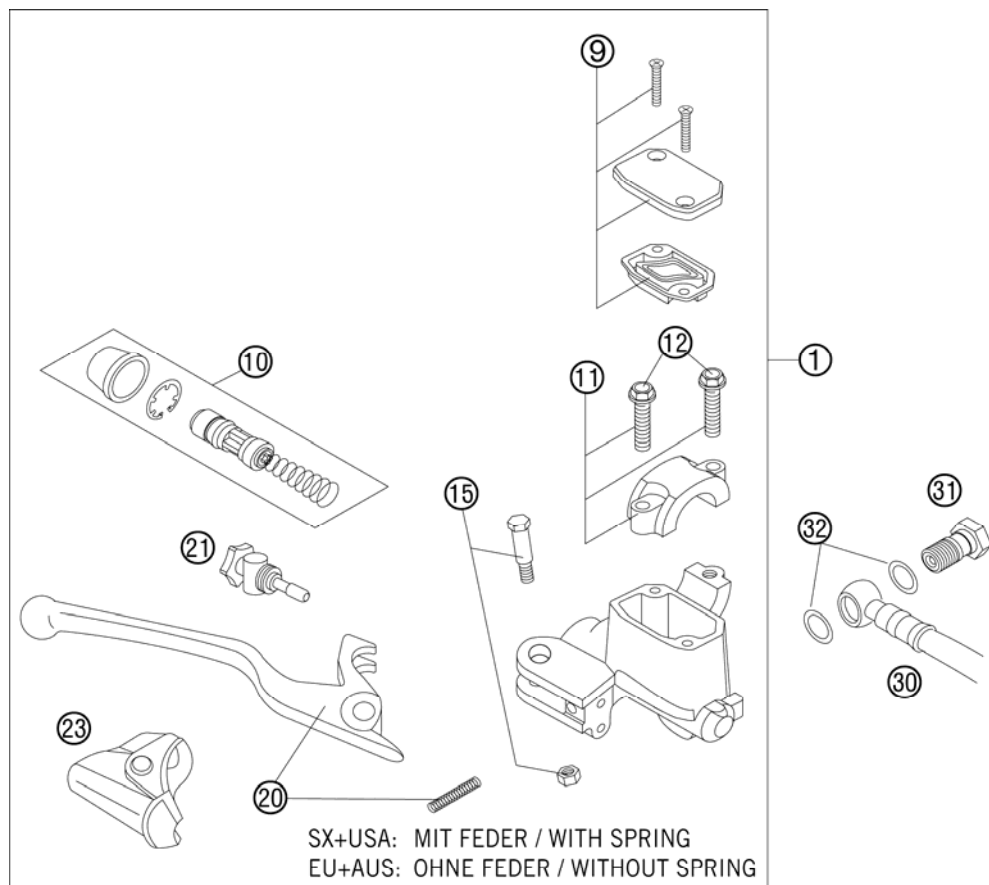


FIG	PART NUMBER	DESCRIPTION	QTY
1	54813001200	HAND BRAKE CYLINDER CPL. SX 06	1
9	50313003000	HANDBRAKE CYL. COVER CPL. NATURE	1
10	54813008200	REP. SET PISTON D=10MM 2006	1
11	50313005000	CLAMP CPL. NATURE	1
12	0015060253	HH COLLAR SCREW M 6X25 WS=8	2
15	50313006100	LEVER SCREW CPL. 2001	1
20	54813002100	HAND BRAKE LEVER + SPRING 2006	1
21	54813007200	ADJUSTING SCREW CPL. EXC 2006	1
23	50313004000	PROTECTION CAP HAND BRAKE CYL.	1
30	59013010000	BRAKEHO. FRONT 1235MM 2000	1
31	50213025000	HOLLOW SCREW M10X1X19	1
32	42013226000	CU-SEAL RING DIN7603-10X16X1	2
80	306054	BRAKE FLUID DOT 4.0	1

065481300 / C077701301

\* NEW PART

X AS REQUIRED

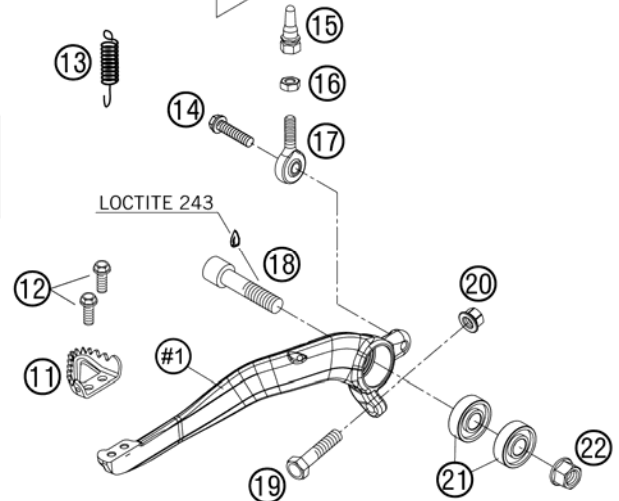
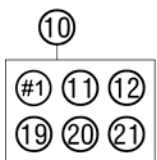
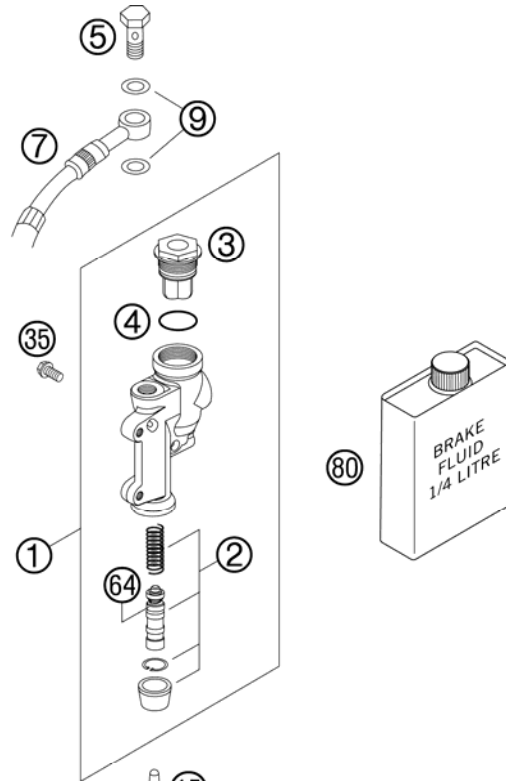


FIG	PART NUMBER	DESCRIPTION	QTY
1	54813060100	REAR BRAKE CYLINDER CPL. 2004	1
2	54813061200	REPAIR KIT PISTON 13MM 06	1
3	54813062100	REAR BRAKE CYL. COVER CPL. 04	1
4	54813063000	FOOT-BRAKE CYL. GASKET SX 03	1
5	54813020100	HOLLOW SCREW BLACK M10X1X19	1
7	54813070000	BRAKE HOSE REAR 655MM 03	1
9	42013226000	CU-SEAL RING DIN7603-10X16X1	2
10*	77313050044	FOOT BRAKE LEVER CPL. 07	1
11	54813051000	STEP PLATE FOR BRAKE LEVER	1
12	0015050123	HH COLLAR SCREW M 5X12 WS=8	2
13	54603062000	RETURN SPRING FOR BRAKE LEVER	1
14	0015060203	HH COLLAR SCREW M 6X20 WS=8	1
15	54813056000	PUSH ROD L=28MM 03	1
16	0934060003	HEXAGON NUT DIN0934-M 6	1
17	54813055000	SWIVEL HEAD KA6 03	1
18	0912100406	AH SCREW DIN6912 M10X40 10.9	1
19	59001037000	SPECIAL SCREW M8X26 WS=10	1
20	46030045000	COLLAR NUT M8 WS=10	1
21	0625060002	BALL BEARING SKF 6000-2RS1	2
22	54630044000	COLLAR NUT M10 WS=13	1
35	0015060123	HH COLLAR SCREW M 6X12 WS=8	2
64	54813064200	BELLOWS FOR REPAIR KIT 06	1
80	306054	BRAKE FLUID DOT 4.0	1

077701302 / C077701302

\* NEW PART

X AS REQUIRED





FIG	PART NUMBER	DESCRIPTION	QTY
0	312305	DOCUMENTS BAG 2006	1
0	312313	KTM BALLPOINT ORANGE	1
0	3210039	CUSTOMER WELCOME LETTER	1
0	3211145	OWNERS MANUAL 250-525 RAC. 07	1
0	3CF8101G9EN	SPC CHASSIS 250 SX-F 2007	1
0	3CM089308GEN	SPC ENGINE 250 SX-F 2007	1

070002000 / C077702004

\* NEW PART

X AS REQUIRED





KTM-Sportmotorcycle AG  
A-5230 Mattighofen  
[www.ktm.at](http://www.ktm.at)

KTM Group Partner



3CF8101G9EN



Art.Nr.: 3CF8101G9EN 6/2006